

The Thermo Scientific Versa 8120 is a highly accurate and reliable checkweigher suitable for a broad range of packaging applications in the food, beverage, pharmaceutical and consumer goods industries.

Thermo Scientific Versa 8120

Chain Frame Checkweigher



Features

- Line speeds up to 700 packages per minute
- Rugged chain design
- Easy-to-read, color interface with touch-screen operation
- Configurable security-access levels
- Controller uses Windows XP® operating system

Suitable for cartons, cans, bottles and pouches in dry or wet environments, the Thermo Scientific Versa 8120 can handle weighing, control and reject functions at line speeds up to 700 packages per minute depending on the application.

The checkweigher's rugged chain design is easy to clean and maintain. In addition, the frame's simplified design and minimal number of moving parts greatly reduces vibration, allowing for superior weighing accuracy and performance.

State-of-the-art Electronics

We've made significant improvements to our checkweigher controller, including:

- Automatic setup in just minutes
- Contextual help screens to guide operation
- Expanded statistics and graphs for detailed views of production line performance
- One hundred standard product memories, expandable and searchable by product or name
- Large, high-visibility weight display supplemented by a bright "good/bad" or "go/no go" indicator.

Upgrade Software on Existing Frames

If your existing 8120 frame (formerly sold under the Ramsey brand name) is in good condition but your software needs upgrading, we provide a Versa 8120 conversion kit to modernize your controller.

Customized Options

The Versa 8120 is available in a stand-alone pedestal version or with a standard, integrated conveyor. A variety of reject systems, such as air jets, pushers, drop gates, or carrier rejects, are available. The Versa 8120's infeed conveyor can be fitted with an optional helix system for cans. A washdown option is available for harsh environments and includes a hermetically sealed loadcell and waterproof drive motor. For increased functionality, an optional Thermo Scientific APEX metal detector may be seamlessly integrated to provide a complete weight control and contaminant inspection station.

Thermo Scientific Versa 8120

General Specifications

Accuracy (typical)	±0.5 grams, micropitch chain; ±1.0 grams, nylon chain; ±1.5 grams, stainless-steel chain (product/speed dependent) 2 standard deviations from mean
Line Speed	6.1 m to 167.6 m (20 ft to 550 ft) per minute
Throughput	Up to 700 packages per minute
Product Weights	Up to 11 kg (25 lb) per product
Frame Construction	304 stainless steel
Drive Motor	Splash-proof standard; Sealed washdown optional
Weigh Cell	Splash-proof standard; Hermetically sealed optional
Operating Temperature	-10°C to +50°F (+14°F to +122°F); 0% to 95% humidity
Electrical	115/220VAC +10%, 50/60 Hz, single phase
Weightframe Dimensions	Length: 609.6 mm (24 in) / 762.0 mm (30 in) / 914.4 mm (36 in) Height: 660.4 mm to 1066.8 mm (26 in to 42 in) adjustable in 50.8-mm (2-in) increments Width: 494.8 mm (19.48 in)

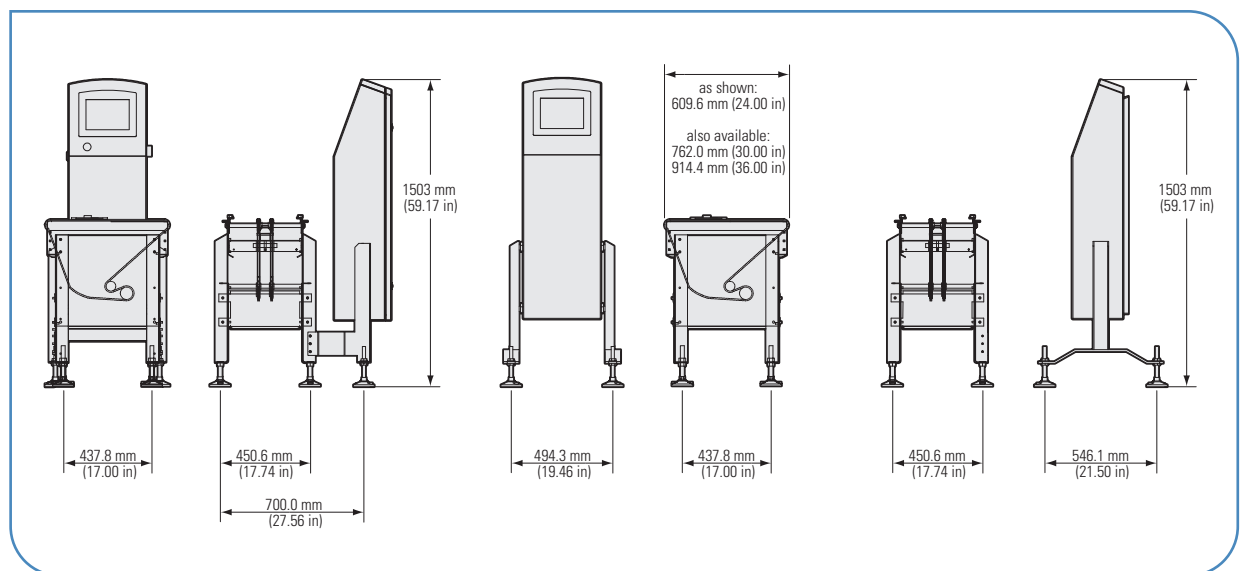
Product Specifications

Maximum Product Specifications	Length: 532 mm (21 in) rate dependent Height: Product-stability dependent Width: 355 mm (14 in) rigidity dependent
--------------------------------	--

Options

Transport Media	Nylatron chain for light products; Stainless steel chain for heavy products; Micropitch chain for high accuracy
Infeed/Outfeed Conveyors	A complete selection of conveyors is available depending on application requirements – consult factory
Side Belt Transfer Conveyors	A complete selection of transfer belts are available depending on application requirements – consult factory for details
Washdown Option	Hermetically-sealed loadcell and waterproof motor
Emergency Stop	Mushroom push-button

Versa 8120 dimensional diagram



© 2009 Thermo Fisher Scientific Inc. All rights reserved. Windows is a registered trademark of Microsoft Corporation in the United States and/or other countries. All other trademarks are the property of Thermo Fisher Scientific Inc. and its subsidiaries. Results may vary under different operating conditions. Specifications, terms and pricing are subject to change. Not all products are available in all countries. Please consult your local sales representatives for details. Literature Code PL0066.0709

Argentina
+54 (0) 11 4334 3827
+54 (0) 11 4334 9159 fax

Australia
+61 (0) 8 8208 8200
+61 (0) 8 8234 3772 fax

Canada
+1 (905) 888-8808
+1 (905) 888-8828 fax

Chile
+56 (0) 2 378 5080
+56 (0) 2 370 1082 fax

China
+86 (0) 21 6865 4588
+86 (0) 21 6445 1101 fax

France
+33 (0) 160 92 48 00
+33 (0) 160 92 49 00 fax

Germany
+49 (0) 208-824930
+49 (0) 208-852310 fax

India
+91 (20) 6626 7000
+91 (20) 6626 7001 fax

Italy
+39 05 217886-1
+39 05 212729-14 fax

Malaysia
+60 (0) 3 5122 8888
+60 (0) 3 5121 8899 fax

Mexico
+52 (01) 55 5638 0237
+52 (01) 55 5639 2227 fax

Netherlands
+31 (0) 76-579-5555
+31 (0) 76-571-4958 fax

South Africa
+27 (0) 11-609-3101
+27 (0) 11-609-3110 fax

Spain
+34 (0) 91-484-5965
+34 (0) 91-484-3597 fax

United Kingdom
+44 (0) 1788-820300
+44 (0) 1788-820301 fax

United States
+1 (800) 227-8891
+1 (763) 783-2525 fax
+1 (763) 783-2500 direct